

L Feet Mount for Metal Roof

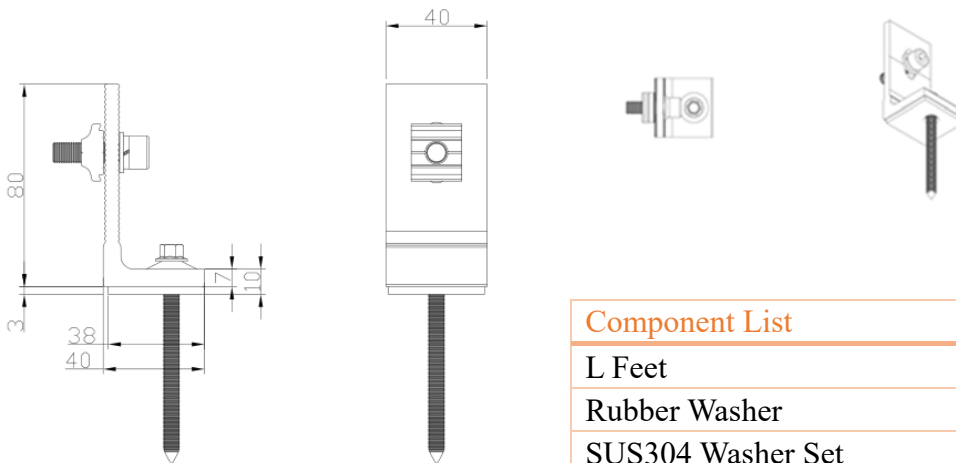


Model: GM-MRH-L5-AZ

FEATURES

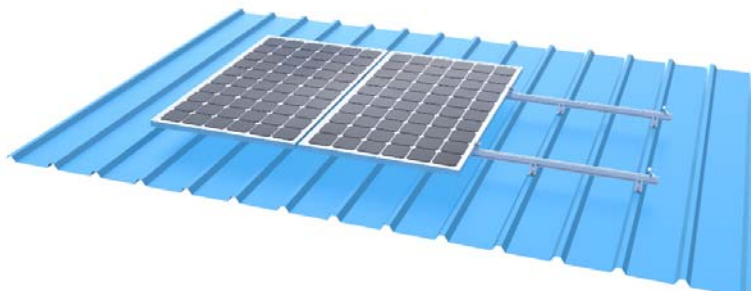
1. Material: Aluminum AL6005-T5
2. Surface Finish: Anodized (10 micron)
3. Weight: 116g/pc
4. Screw Material: Stainless Steel SUS410
5. Waterproof Rubber Washer: EPDM
6. Warranty: 10 Years

OVERALL DIMENSIONS



Component List	Qty./Set
L Feet	1
Rubber Washer	1
SUS304 Washer Set	2
SUS410 Wood Screw	1
T Nut	1
Hexagon Bolt Set (M8*25)	1

INSTALLATION



Components

Picture	Item No.	Description	Material
	GM-R69	Rail (0.682kg/m)	Anodized AL6005-T5
	GM-RS-56-AZ	150mm Earthing Rail Joiner with M8X25 Bolts and Star Washers	AL6005-T5 SUS304
	GM-MRH-L5-AZ	L Feet with SUS410 6.3X80 Wood Screw	AL6005-T5 SUS410
	GM-MC-30(35)-AZ	30/35mm Middle Clamp *Other Options from 30 to 50m	AL6005-T5 SUS304"
	GM-EC-30(35)-AZ	30/35mm End Clamp *Other Options from 30 to 50m End Clamp	AL6005-T5 SUS304
	GM-EK-AZ	Grounding Lug	SUS304
	GM-E-EL-AZ	Earthing Clip	SUS304
	GM-XJ-AZ	Panel wire clip	Stainless Steel

Appendixes & Certification

- ✓ Goomax Tin Roof Mounting System Installation Manual
 - ✓ ASNZ 1170.2 Certification for Roof Mount P V Array Systems-Tin Roof
- *These Engineering Certificates contain important installation requirements. Please obtain from the local distributor.*