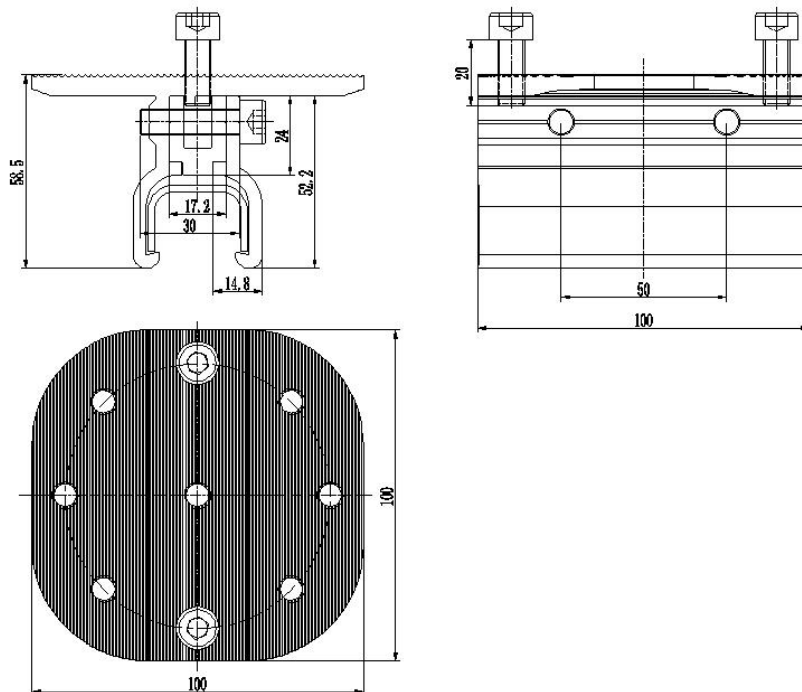


Product Specification

HOP-TRB-C08-I Ver: 3.1



Name	Kliplik Interface Bracket-I
Stock Code	TRB-C08-I
Weight(g)	414
BOM	HOP-H14-0100 (AL6005-T5) x 1 HOP-H15-0100 (AL6005-T5) x 1 HOP-H16-0100 (AL6005-T5) x 1 HOP-K05-0100 (EPDM) x1 M8*30 Hexagon socket head cap screws (SUS304) x2 M8*20 Hexagon socket head cap screws (SUS304) x2
Packing	10pcs
Carton size	260×205×180