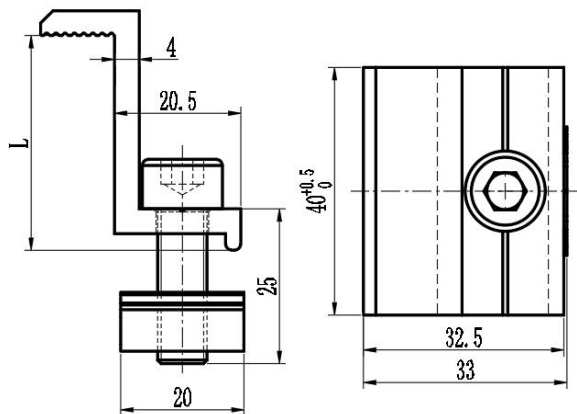


Product Specification

HOP-PC-ECS00-NS1 Ver: 1.0



No.	Part No.	Feature Size L	Panel Size	Weight
1	PC-ECS25-NS1	24.7	25	55
2	PC-ECS30-NS1	29.7	30	61
3	PC-ECS35-NS1	34.7	35	61
4	PC-ECS38-NS1	37.7	38	63
5	PC-ECS40-NS1	39.7	40	65
6	PC-ECS42-NS1	41.7	42	67
7	PC-ECS45-NS1	44.7	45	65
8	PC-ECS50-NS1	49.7	50	67

Name	Select End Clamp
Stock Code	PC-ECS00-NS1
Weight(g)	See above table
BOM	HOP-G01-0040 (AL6005-T5) x 1 HOP-G91-0020 (AL6005-T5) x 1 M8*25 Hexagon socket head cap screws (SUS304) x 1
Packing	100pcs
Carton size	260×205×180