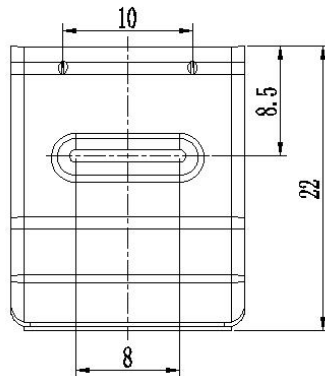
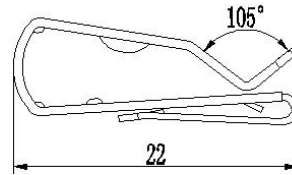
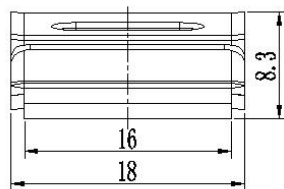


## Product Specification

HOP-AC-PCC02 Ver: 1.0



<b>Name</b>	Two Line Panel Cable Clip
-------------	---------------------------

<b>Stock Code</b>	AC-PCC02
-------------------	----------

<b>Weight(g)</b>	4
------------------	---

<b>BOM</b>	HOP-L19-0022 (SUS304) x 1
------------	---------------------------

<b>Packing</b>	2000pcs
----------------	---------

<b>Carton size</b>	260×205×180
--------------------	-------------