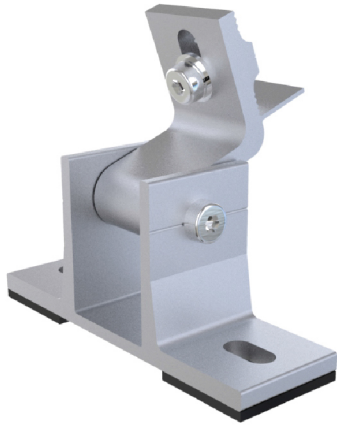


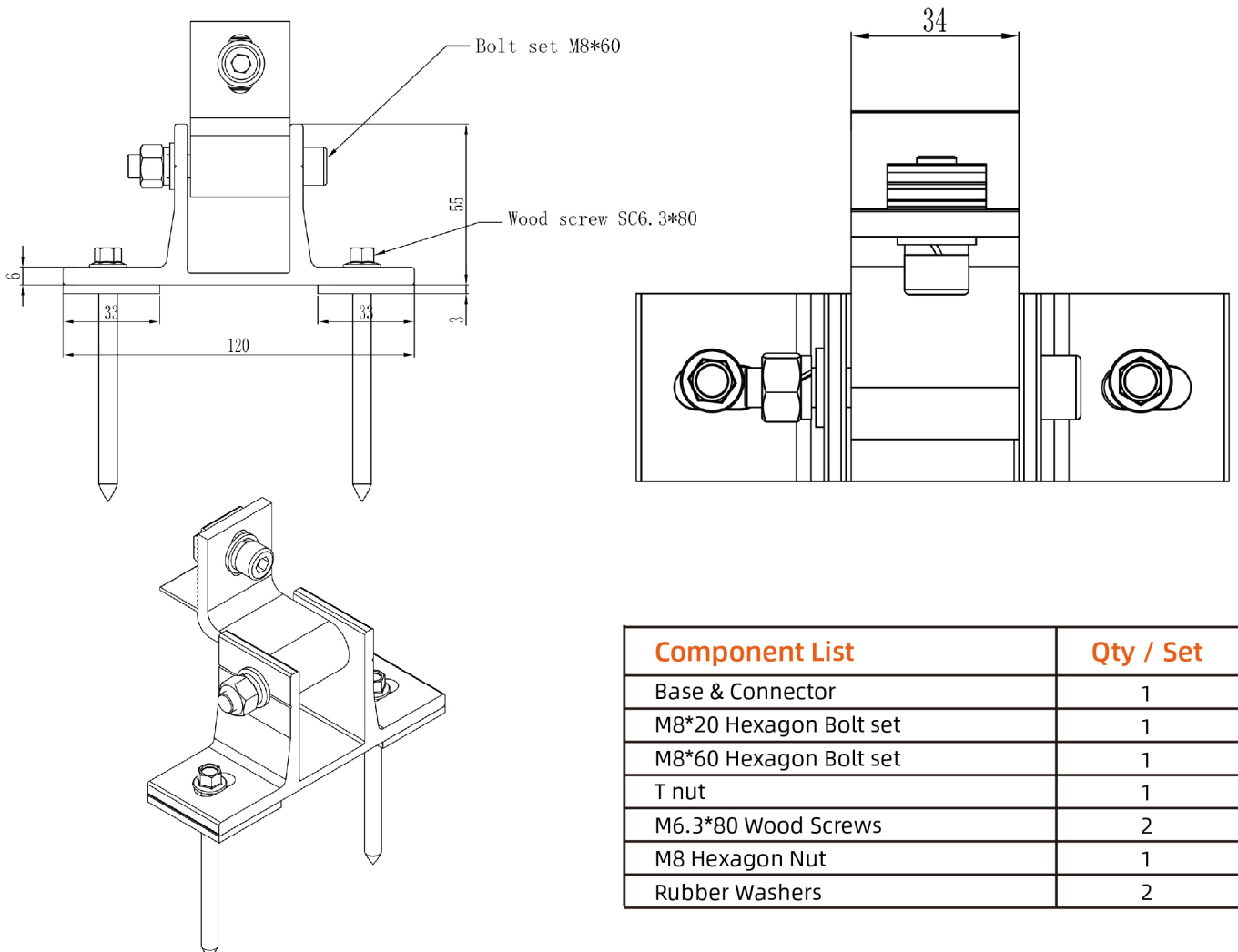
Front Leg of Adjustable Tilt Mount



FEATURES

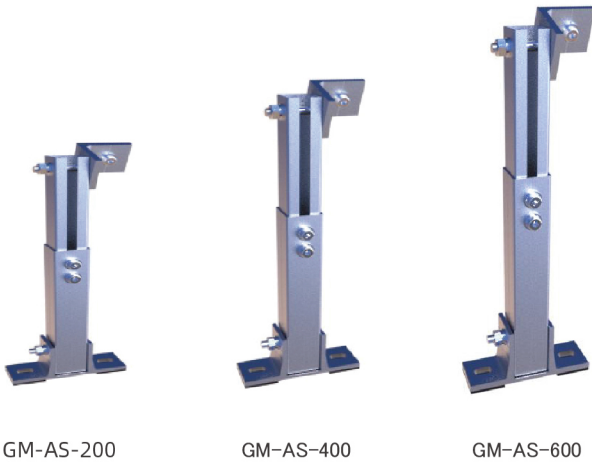
1. Material: Aluminum AL6005-T5
2. Surface Finish: Anodized (10 micron)
3. Weight: 265g/set
4. Screw Material: Stainless steel (SUS410)
5. Waterproof Rubber Washer: EPDM

OVERALL DIMENSIONS



Component List	Qty / Set
Base & Connector	1
M8*20 Hexagon Bolt set	1
M8*60 Hexagon Bolt set	1
T nut	1
M6.3*80 Wood Screws	2
M8 Hexagon Nut	1
Rubber Washers	2

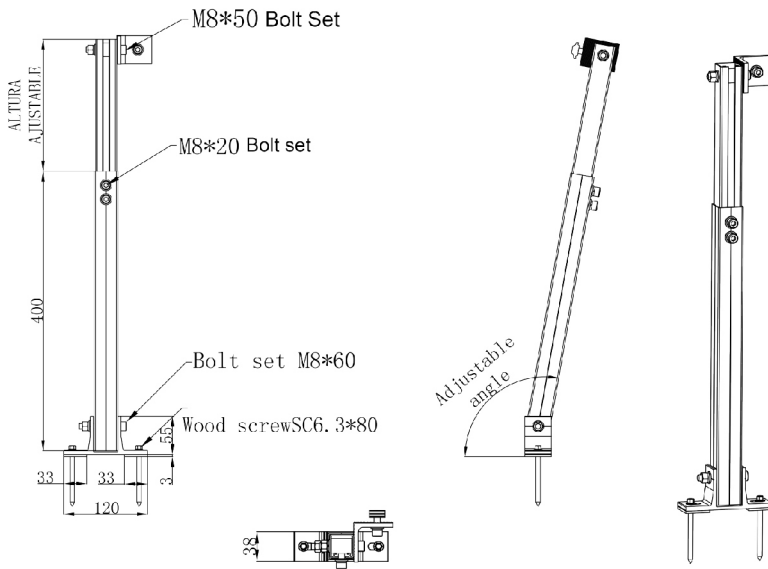
Rear Leg of Adjustable Tilt Mount



FEATURES

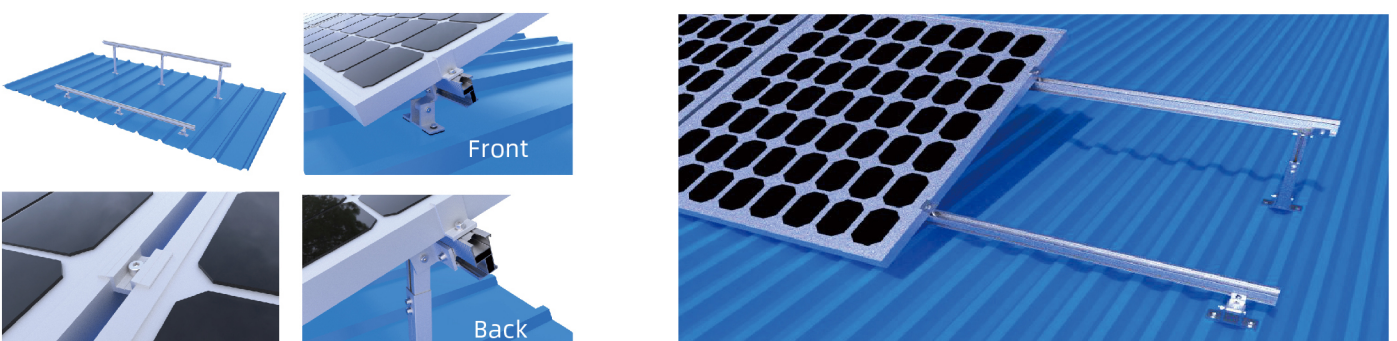
1. Material: Aluminum AL6005-T5
 2. Surface Finish: Anodized (10 micron)
 3. Weight: 669g/set (GM-AS-400)
 4. Screw Material: Stainless steel (SUS410)
 5. Waterproof Rubber Washer: EPDM
 6. GM-AS-400 Adjustable Angles: 15-30 degrees
- Other Options:
GM-AS-200 Adjustable Angles: 0-15 degrees.
GM-AS-600 Adjustable Angles: 30-60 degrees

OVERALL DIMENSIONS



Component List	Qty / Set
Base	1
Internal Tube	1
External Tube	1
L Feet	1
M8*20 Hexagon Bolt set	2
M8*60 Hexagon Bolt set	1
T nut	1
M6.3*80 Wood Screws	2
M8 Hexagon Flange Nuts	2
M8 Hexagon Nuts	2
Rubber washer	2
M8*20 Hexagon Bolt set	1
M8*60 Hexagon Bolt set	1
Aluminum Ring	1

INSTALLATION DETAILS



Components

Picture	Item No.	Description	Material
	GM-R69	Rail (0.682kg/m)	Anodized AL6005-T5
	GM-RS-56-AZ	150mm Earthing Rail Joiner with M8X25 Bolts and Star Washers	AL6005-T5 SUS304
	GM-AS-400-AZ	Tilt Arm Rear (15-30 degrees) with SUS410 6.3X80 Wood Screw	AL6005-T5 SUS410
	GM-AS-B01-AZ	Tilt Arm Front with SUS410 6.3X80 Wood Screw	AL6005-T5 SUS410
	GM-MC-30(35)-AZ	30/35mm Middle Clamp *Other Options from 30 to 50m	AL6005-T5 SUS304"
	GM-EC-30(35)-AZ	30/35mm End Clamp *Other Options from 30 to 50m End Clamp	AL6005-T5 SUS304
	GM-EK-AZ	Grounding Lug	SUS304
	GM-E-EL-AZ	Earthing Clip	SUS304
	GM-XJ-AZ	Panel wire clip	Stainless Steel

Appendixes & Certification

- ✓ Goomax Tilt Roof Mounting System Installation Manual
 - ✓ ASNZ 1170.2 Certification for Roof Mount P V Array Systems-Tilt Roof
- *These Engineering Certificates contain important installation requirements. Please obtain from the local distributor.*