

Kliplock 406&700 Interface Bracket

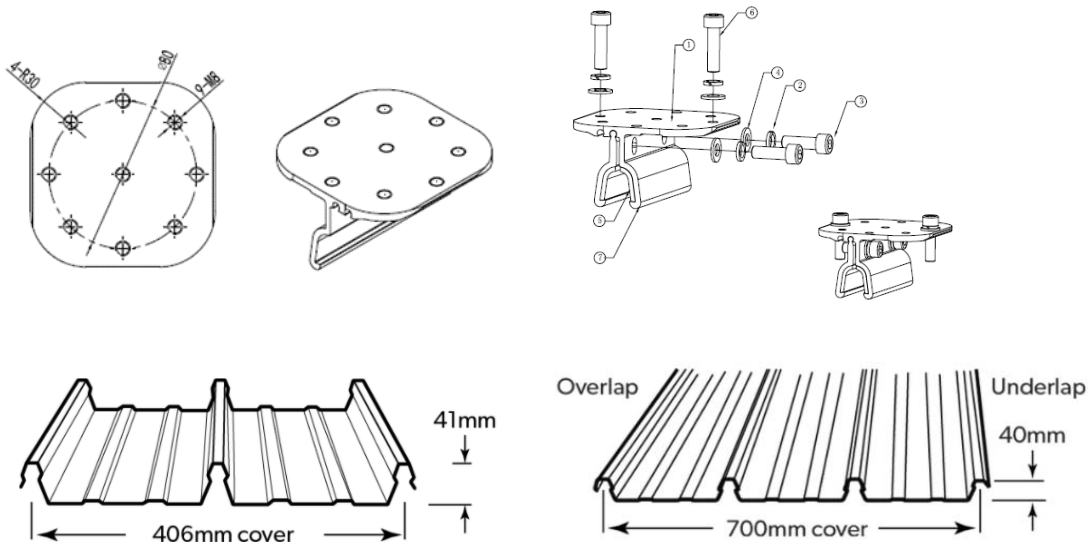


Model: GM-MRH-20-AZ

FEATURES

1. Material: Aluminum AL6005-T5
2. Surface Finish: Anodized (10 micron)
3. Waterproof Rubber : EPDM
4. Universal solution for Lysaght Klip-Lok 406 and 700 roofs and non-penetration installation
5. Warranty: 10 Years

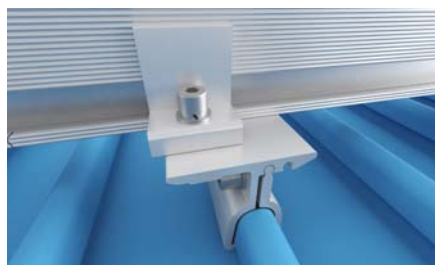
OVERALL DIMENSIONS



Components

Component List	Qty./Set
Bracket PartA	1
Bracket Part B	1
M8*30 Bolts	2
M8*25 Bolts	2
Washers	8
EPDM Rubber	1

INSTALLATION



Note: The illustration is of GM-MRH-19-AZ

Appendix

- ✓ ASNZ 1170.2 Certification for Roof Mount PV Array Systems—Goomax Flush Mount System With Roof Clamps